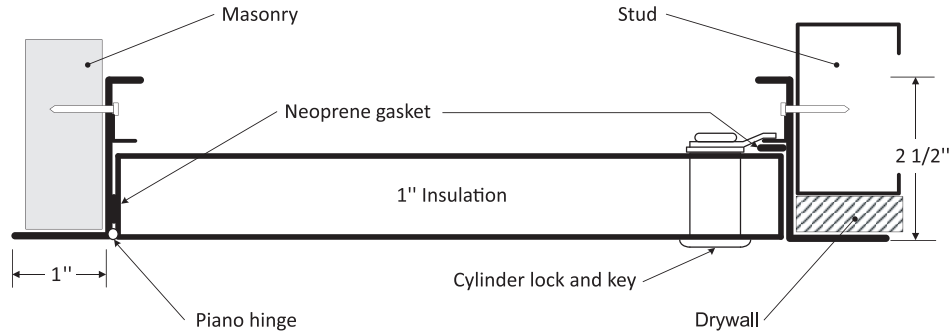
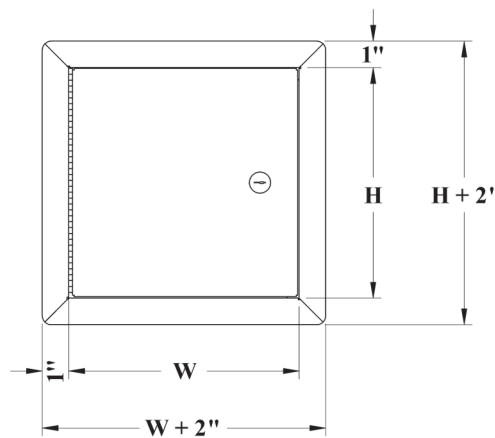


LIGHTWEIGHT INSULATED ALUMINUM ACCESS DOOR
 FOR ALL SURFACE TYPES

PAL
INSTALLATION

DIMENSIONS AND APPEARANCE
LEED ready: This product contributes to LEED® credits.

DOOR SIZE - W x H INCHES (MM)	NUMBER OF LOCKS	WEIGHT	
		LBS	KG
8 x 8 (203 x 203)	1	2	0.9
12 x 12 (304 x 304)	1	3	1.4
16 x 16 (406 x 406)	1	6	2.7
18 x 18 (457 x 457)	1	7	3.2
24 x 24 (609 x 609)	1	13	5.9
36 x 36 (914 x 914)	2	21	9.5
Rough wall opening is door size + 1/4" or + 6mm			

Your odd sizes:
Made in 5 days


DESCRIPTION AND MATERIAL SPECIFICATION

Material: 0.064" aluminum
Insulation: 1" fiberglass
Hinge: aluminum continuous piano type
Gasketing: neoprene all around perimeter
Lock / latch: cylinder lock and key
Finish: high quality white powder coat primer
Packaging: individually wrapped, 1 per box

POPULAR OPTIONS For complete list of options go to: www.cendrex.com
Material: stainless steel 304 #4 (brushed finish)
Lock / latch: screwdriver operated cylinder cam latch, mortise slam latch preparation (cylinder optional), handle operated cam latch

CENDREX PARTNERS

PROJECT DATA

PROJECT NAME:	QTY	W	H	OPTIONS
ARCHITECT:				
DEALER:				
CONTRACTOR:				
LOCATION:	SPECIAL INSTRUCTIONS:			
DATE:				
TAGGING INSTRUCTIONS:	SUBMITTAL APPROVAL: (signature or stamp)			

HEAD OFFICE: 11 303, 26th avenue, Montreal, Quebec, Canada H1E 6N6
WAREHOUSES: California, Colorado, Florida, Illinois, Pennsylvania, Texas

Tel.: 514 493-1489 - 1 800 479-1489
Fax: 514 493-1992 - 1 800 297-1489

www.cendrex.com
info@cendrex.com